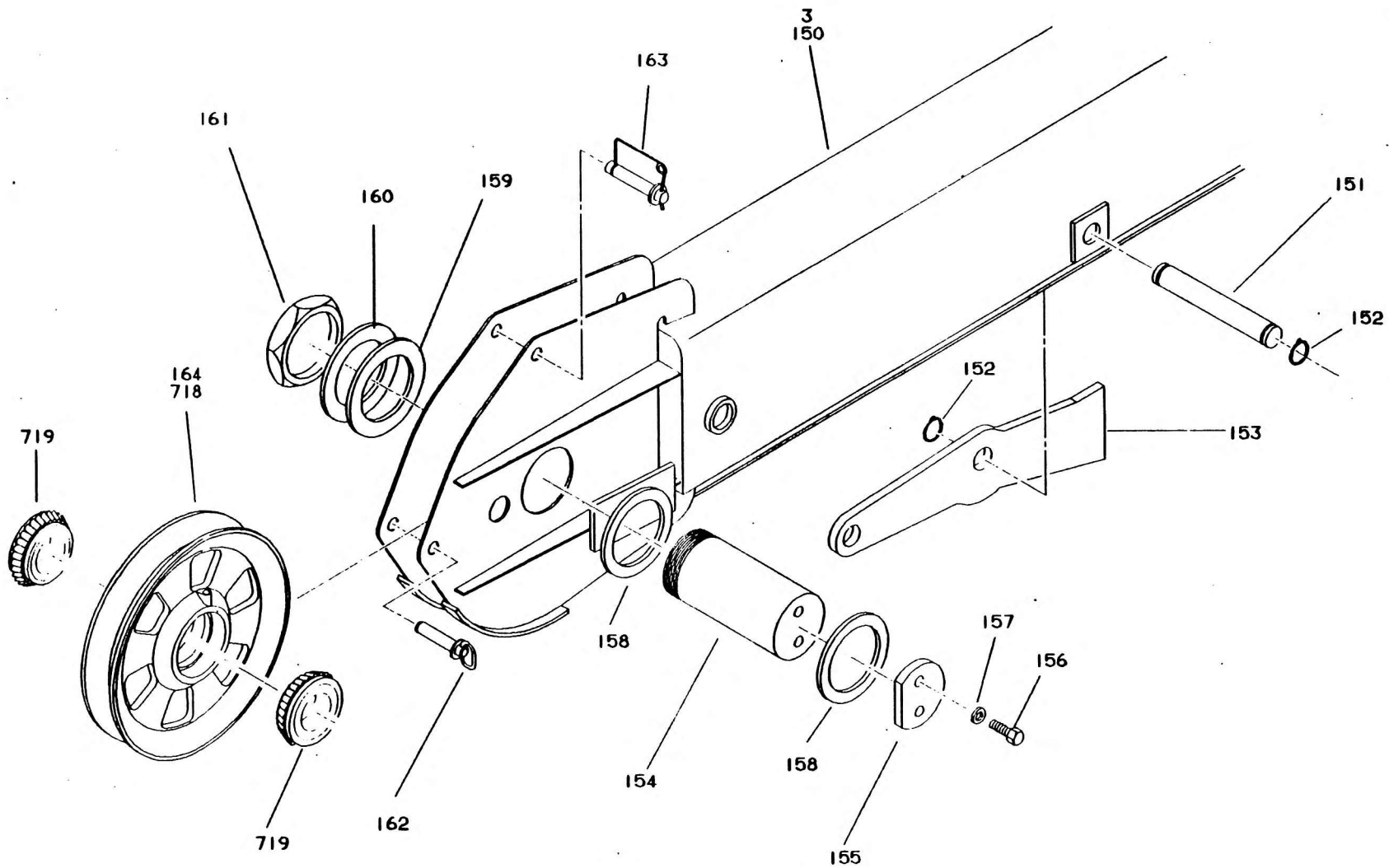
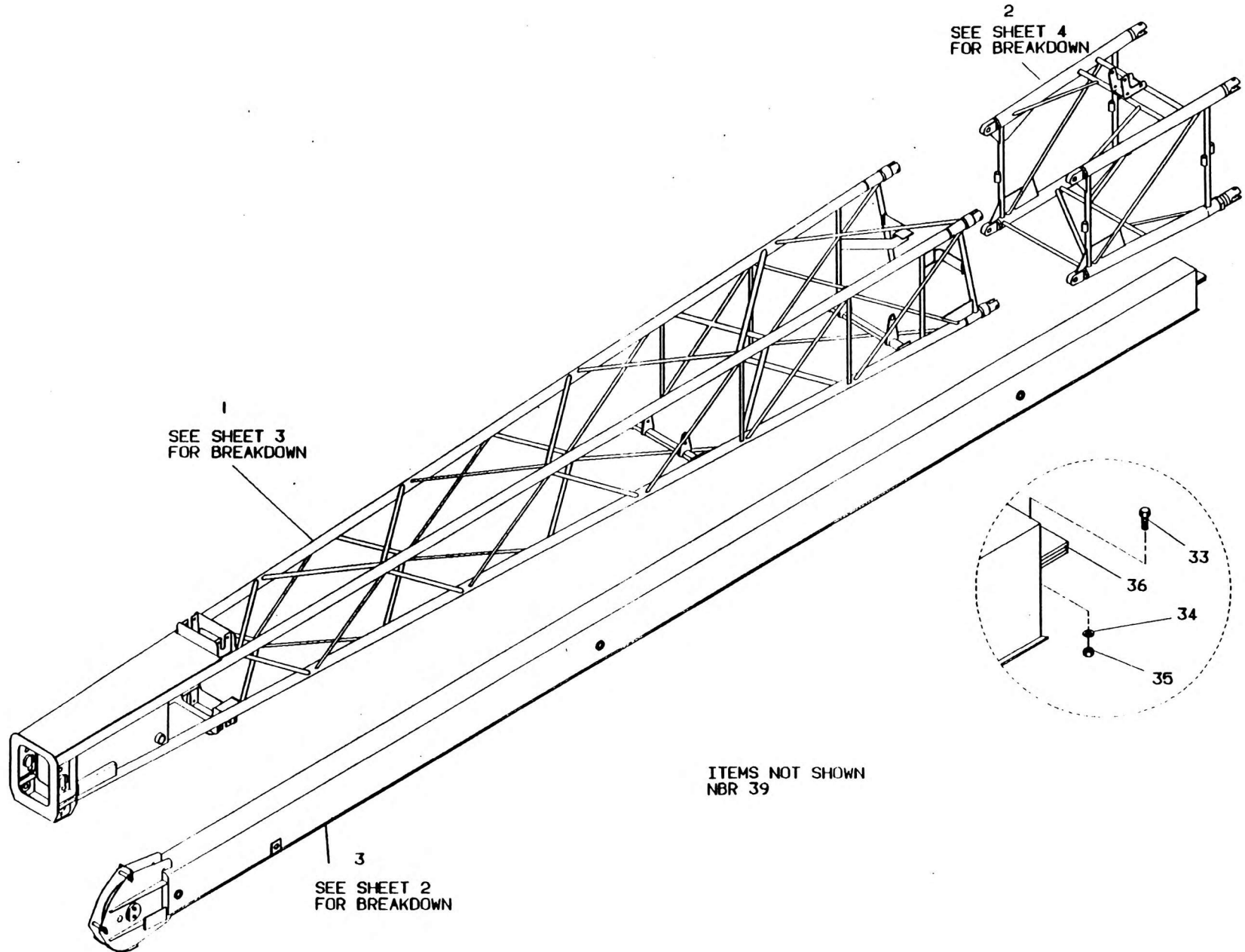


2-170-9-00167

SHEET 3 OF 4





1  
SEE SHEET 3  
FOR BREAKDOWN

2  
SEE SHEET 4  
FOR BREAKDOWN

3  
SEE SHEET 2  
FOR BREAKDOWN

ITEMS NOT SHOWN  
NBR 39

